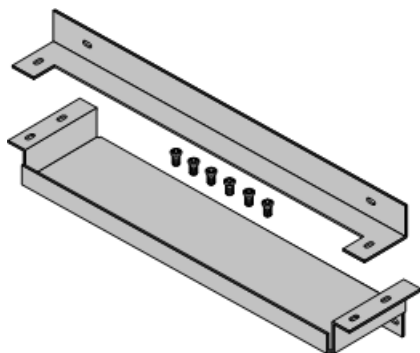


4.6 Wall Mounting



IP500 and IP500v2 control units can be wall mounted. This requires an IP500 Wall Mounting Kit (SAP 700430150) plus additional 4.5mm fixtures and fittings suitable for the wall type. The wall mounting kit includes two brackets, one top and one bottom.

In addition to the existing [environmental requirements](#)^[54] for an IP Office system, the following additional requirements apply when wall mounting a unit:

- The wall surface must be vertical, flat and vibration free.
- The brackets must be used as shown, with the deeper tray-like bracket used at the bottom of the wall mounted control unit.
- Only the screws (M3 x 6mm) provided with the mounting kit should be used to attach the brackets to the control unit.

